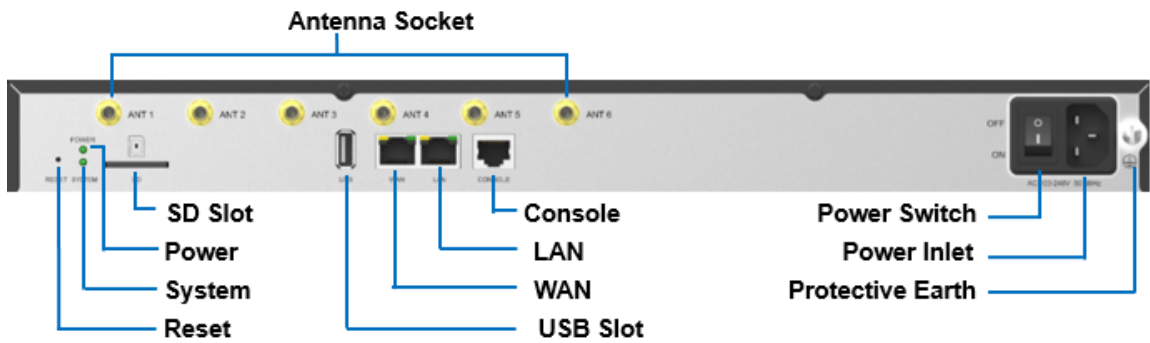


HardWare仕様



Port	Description		
E1/T1	Connect the E1/T1 line.		
1-8 Port (RJ11 port)	<ul style="list-style-type: none"> • FXO port (red light): For the connection of PSTN lines or FXS ports of traditional PBX. • FXS port (green light): For the connection of analog phones. • BRI port (orange light): For the connection of ISDN BRI lines. <p>Note: The sequence number of the ports corresponds to that of the Indicator lights in the front panel. (I.e. the LED lights in the front indicate the connection status of the corresponding ports at the back panel.)</p>		
LED	Indication	Status	Description
1-8 (RJ11 port status)	FXS	Green: static	The analog phone is idle.
		Green: blinking	The analog phone is busy.
	GSM/3G/4G	Red: static	The GSM/3G/4G Trunk is idle.
		Red: blinking slowly	No SIM card.
		Red: blinking rapidly	The GSM/3G/4G trunk is in use.
	BRI	Orange: blinking	The BRI line is disconnected.
		Orange: static	The BRI line is connected or in use.
	FXO	Red: static	The PSTN line is idle.
Red: blinking slowly		No PSTN line is connected to the FXO port.	



LED	Indication	Status	Description
POWER	Power status	On	The power is switched on.
		Off	The power is switched off.
SYSTEM	System status	Blinking	The system is running properly.
		Static/Off	The system goes wrong.
Port	Description		
WAN/LAN	<p>Yeastar S100 provides two 10/100/1000Mbps adaptive RJ45 Ethernet ports, and supports 3 Ethernet modes. The default mode is "Single".</p> <ul style="list-style-type: none"> • Single: LAN port will be used for uplink connection. WAN port is disabled. • Bridge: LAN port will be used for uplink connection. WAN port will be used as bridge for PC connection. • Dual: Both LAN and WAN ports can be used for uplink connection. 		
SD	Insert SD card to store auto recording files.		
Reset button	Press and hold for 10 seconds to restore the factory defaults.		
USB	Insert USB device to store auto recording files.		
Console	Connect RS232 line to debug the system.		